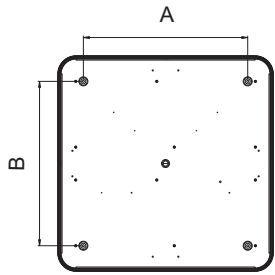
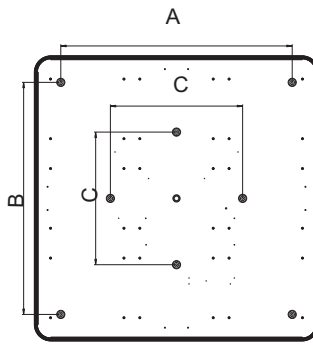


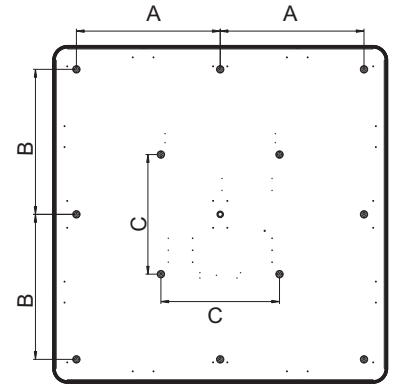
LOOP SURFACE Installation Manual



#	A	B
300x300	180	180
450x450	350	350
590x590	450	450

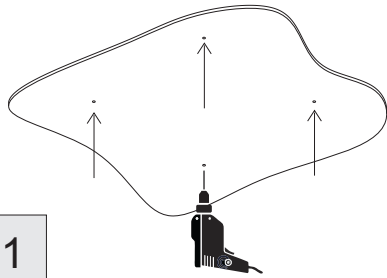


#	A	B	C
860x860	700	700	400



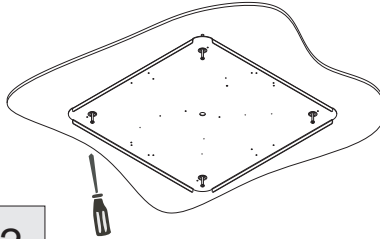
#	A	B	C
1130x1130	485	485	400
1400x1400	620	620	400

Drill accordingly to the tables above.



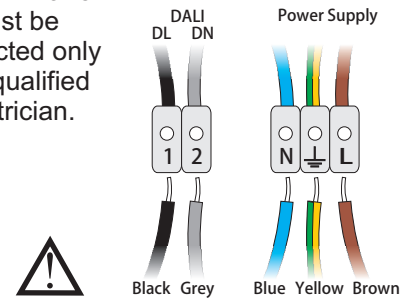
1

Mount to the ceiling using appropriate anchor



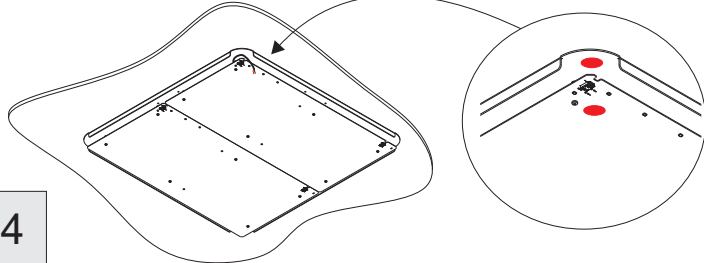
2

The luminaire must be connected only by a qualified electrician.



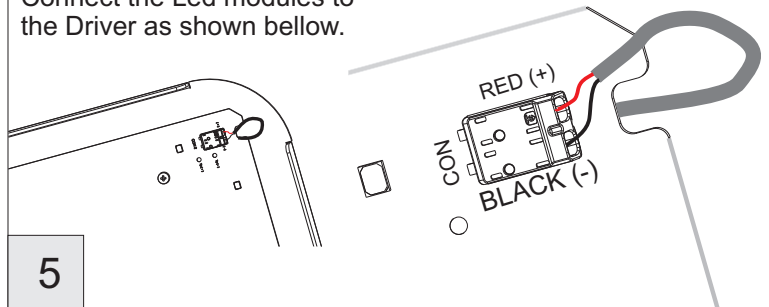
3

Mount the LED modules in place following the instructive stickers.



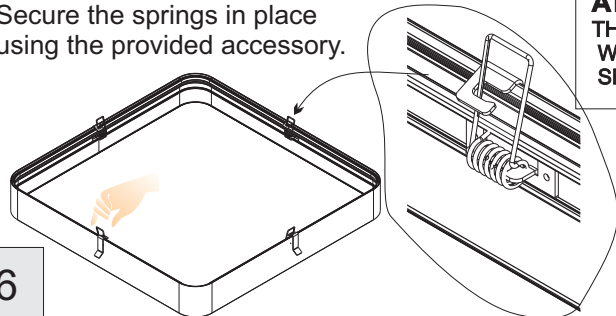
4

Connect the Led modules to the Driver as shown below.



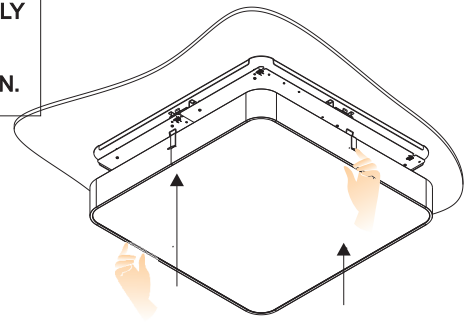
5

Secure the springs in place using the provided accessory.



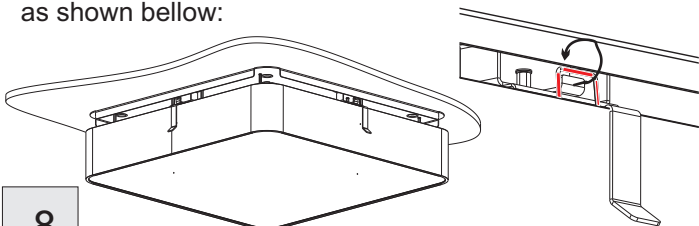
6

ATTENTION: HANDLE CAREFULLY THE LUMINAIRE'S BASE WHEN THE SPRINGS ARE SECURED IN THE UPPER POSITION.



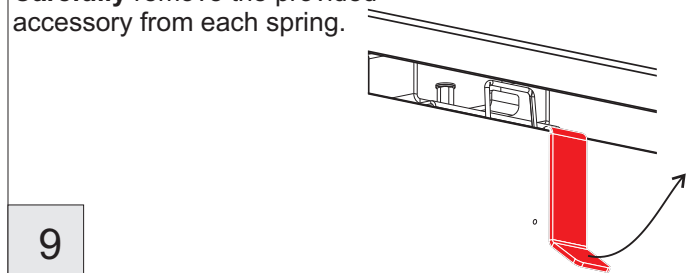
7

Hook all the springs in to the appropriate points as shown below:



8

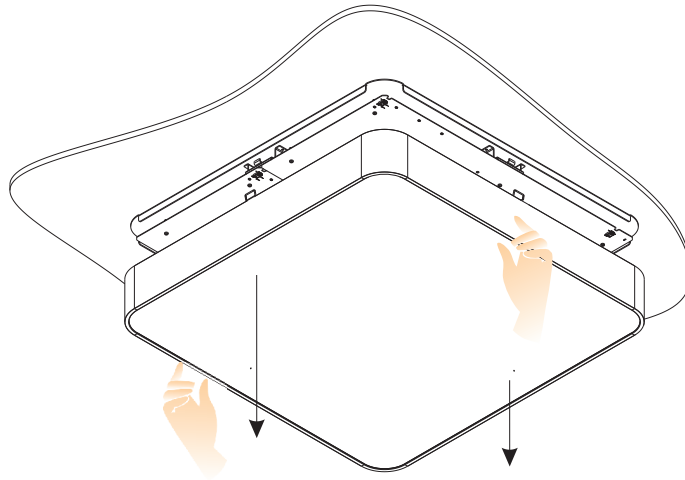
Carefully remove the provided accessory from each spring.



9

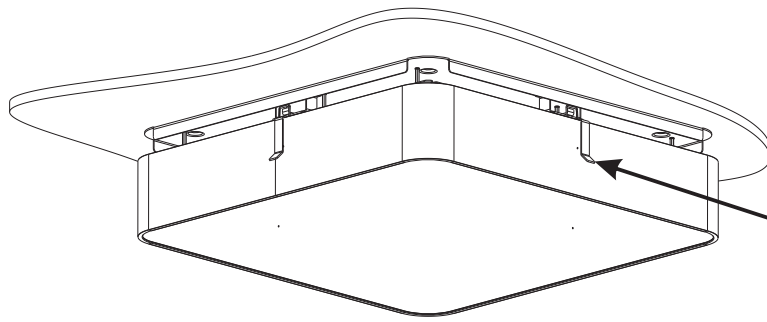
LOOP SURFACE Installation Manual

In order to remove the Luminaire's base the following steps must be followed.

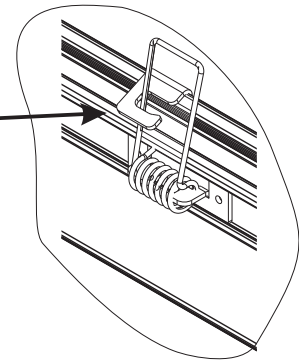


1

Pull down the luminaire's base in order to expose the mounting springs.

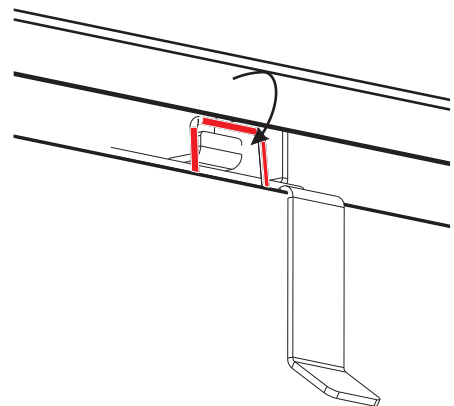
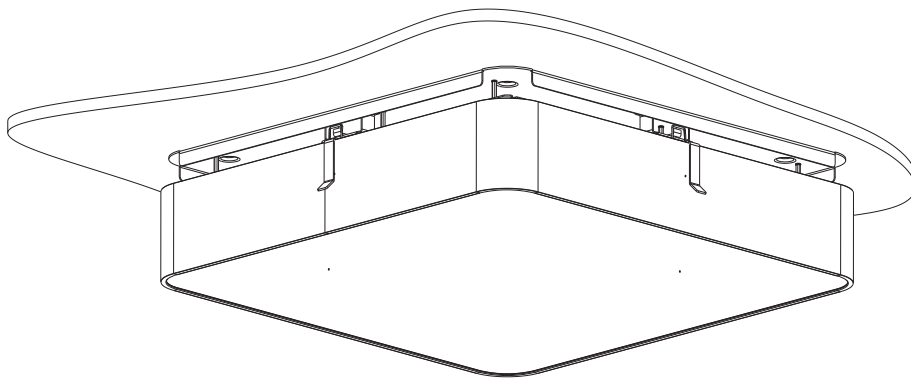


ATTENTION: HANDLE CAREFULLY THE LUMINAIRE'S BASE WHEN THE SPRINGS ARE SECURED IN THE UPPER POSITION.



2

Secure all the springs in the upper position using the provided accessory.



3

Unhook all the springs from the mounting points as shown above.